



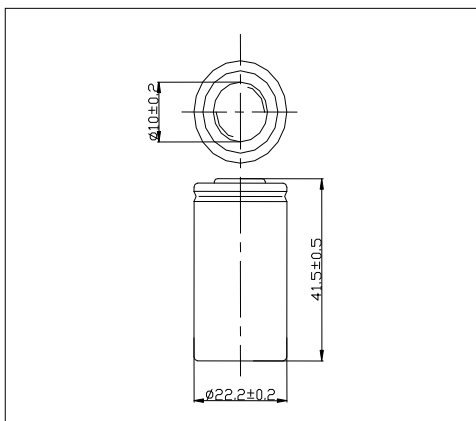
Product Specification: SubC 3300mAh 1.2V

SKU: 2591

Cell Specification:

Nominal Voltage		1.2V
Nominal Discharge		30A
Capacity	Minimum	4.8min
	Typical	4.5min
Dimensions (mm)	Diameter	22.2
	Height	41.5
Weight (g)		51
Internal Impedance (at 1000Hz)		8.0mΩ (max)
Charge	Standard	330mA (0.1C) x 15hrs
	Rapid	3300mA (1.0C) x 1.15hrs
Temp (°C)	Charge Standard	0 – 45
	Charge Rapid	0 – 40
	Discharge	-20 – 60
Storage		-20 – 40

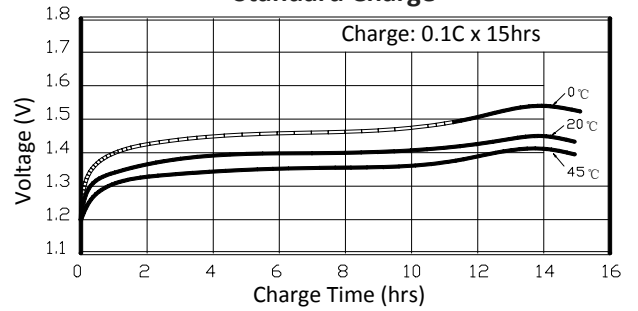
Dimensions (mm):



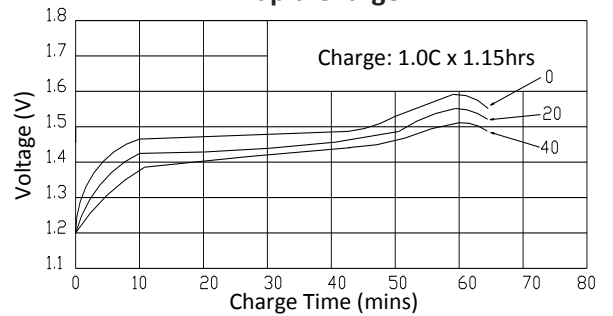
Note:

1. Nominal capacity rated at 0.2C 20°C
2. Weight for reference
3. Standard according as IEC of test cycle life.

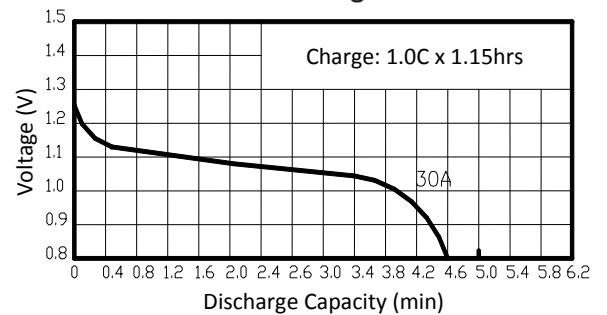
Standard Charge



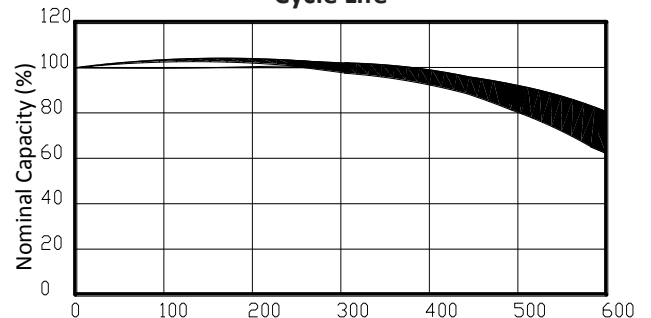
Rapid Charge



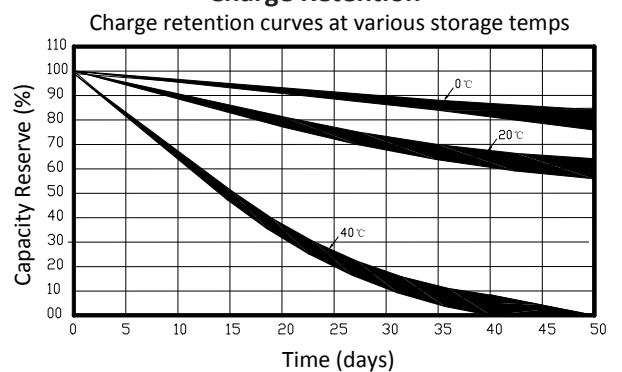
Discharge



Cycle Life



Charge Retention





1. PREFACE

The specification is suitable for the performance of NI-MH rechargeable battery.

2. MODEL

SC3800mAh 1.2V

3. APPEARANCE

There shall be no such details as discoloration or electrolyte leakage or 0 voltage.

4. RATINGS

Description	Unit	Specification	Condition
Nominal Voltage	V	1.2	Unit cell
Typical Capacity	min	4.8	Discharge at 30A to 0.8V
Nominal Capacity	mAh	3300	Standard Charge/Discharge
Minimum Capacity	min	4.5	Discharge at 30A to 0.8V
Standard Charge	mA	330 (0.1C)	Ta=0~40°C (see note 1)
	hour	15	
Fast Charge	mA	660(0.2C)~3300(1.0C) with charge termination control	-ΔV=10mV/ cell Timer cutoff=105% input capacity Temp. cutoff=55~65°C dT/dt=0.8°C /min (0.5 to 1.0C); 0.8~1°C /min (1C)
	hour	6.5 approx. (0.2C) 1.15 approx. (1.0C)	
Trickle Charge	mA	66(0.02C)~165(0.05C)	Ta=0~40°C (see note 1)
Maximum Discharging Current	A	30(Continuous)	Ta =0~50°C 0.8v cut off
Storage Temperature	°C	-20~+25(within 1 year) -20~+30(within 3 month) -20~+40(within 1 month) -20~+50(within 1 week)	*
Typical Weight	g	51 approx	*

5. PRECAUTIONS TO ENSURE THE SAFETY ON BANDING BATTERY

1. Batteries should be charged prior to use.
2. When using a new battery for the first time or after long term storage, please fully charge the battery before use.
3. For charging methods please refer to our technical handbook.
4. Use the correct charger for Ni-Cd or Ni-MH batteries.
5. Do not reverse charge batteries.



Product Specification: SubC 3300mAh 1.2V

SKU: 2591

6. Do not short circuit batteries, permanent damage to batteries may result.
7. Do not incinerate or mutilate batteries, may burst or release toxic material.
8. Do not solder directly to cells or batteries.
9. Do not subject batteries to adverse condition such as extreme temperature, deep cycling and excessive overcharge/overdischarge.
10. Store batteries in a cool dry place.
11. Do not mix VB power batteries with other battery brands or batteries of a different chemistry such as alkaline and zinc carbon.
12. Do not mix new batteries in use with semi-used batteries, overdischarge may occur.
13. Avoid batteries being used in an airtight compartment. Ventilation should be provided inside the battery compartment; otherwise batteries may generate hydrogen gas, which could cause an explosion if exposed to an ignition source.
14. When connecting a battery pack to a charger, ensure correct polarity.
15. If find any noise, excessive temperature or leakage from a battery, please stop its use.
16. When the battery is hot, please do not touch it and handle it, until it has cooled down.
17. Do not remove the outer sleeve from a battery pack nor cut into its housing.
18. When find battery power down during use, please switch off the device to avoid overdischarge.
19. When not using a battery, disconnect it from the device.
20. Unplug a battery by holding the connector itself and not by pulling at its cord.
21. After use, if the battery is hot, before recharging it, allow it to cool in a well-ventilated place out of direct sunlight.
22. Never put a battery into water or seawater.
23. During long term storage, battery should be charged and discharged once every half a year.
24. Do not attempt to take batteries apart or subject them to pressure or impact. Heat may be generated or fire may result. The alkaline electrolyte is harmful to eyes and skin, and it may damage clothing upon contact.
25. Keep away from children. If swallowed, contact a physician at once.

6. APPEND:

IEC61951 4.4 Endurance in cycles

Before the endurance in cycles test, the cell shall be discharged at 0.2 I_c to a final voltage of 1.0V/cell. The following endurance test shall then be carried out, irrespective of cell designation, in an ambient temperature of $20^{\circ}\text{C}\pm 5^{\circ}\text{C}$. Charge and discharge shall be carried out at constant current throughout, using the conditions specified in table 5. Precautions shall be taken to prevent the cell-case temperature from rising above 35°C during the test, by providing a forced air draught if necessary.

NOTE-Actual cell temperature, not the ambient temperature, determines cell performance.



Table 5-Endurance in cycles

Cycle number	Charge	Stand in Charged condition	Discharge
1	0.1C _t A for 15h	None	0.25 C _t A for 2 h 20 min ²⁾
2 to 48	0.25 C _t A for 3 h 10 min	None	0.25 C _t A for 2 h 20 min ²⁾
49	0.25 C _t A for 3 h 10 min	None	0.25 C _t A to 1.0V/cell
50	0.1 C _t A for 15 h	1h to 4h	0.2C ₅ A to 1.0V/cell
<p>It is permissible to allow sufficient open-circuit rest time after the completion of discharge at cycle 50, so as to start cycle 51 at an exact two-week interval. A similar procedure may be adopted at cycles 100,150,200,250,300,350,400and 450.</p> <p>If cell discharge voltage drops below 1.0V/cell, discharge may be discontinued.</p>			

Cycles 1 to 50 shall be repeated until the discharge duration on any 50th cycle becomes less than 3h at this stage, a further cycle as specified for cycle 50 shall be carried out.

The endurance test is considered complete when two such successive cycles give a discharge duration less than 3h. The number of cycles obtained when the test is completed shall be not less than 500.